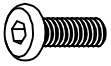


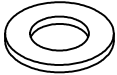
ASSEMBLY INSTRUCTION

A



M6x25 x4

B



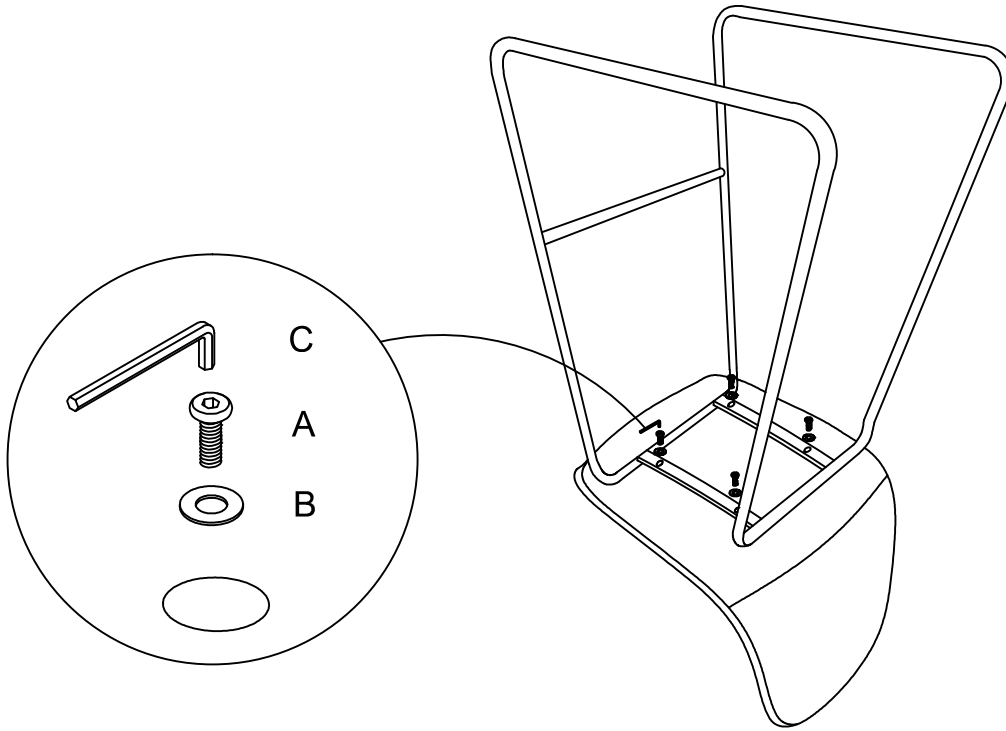
M6 x4

C



x1

STEP 1



STEP 2

