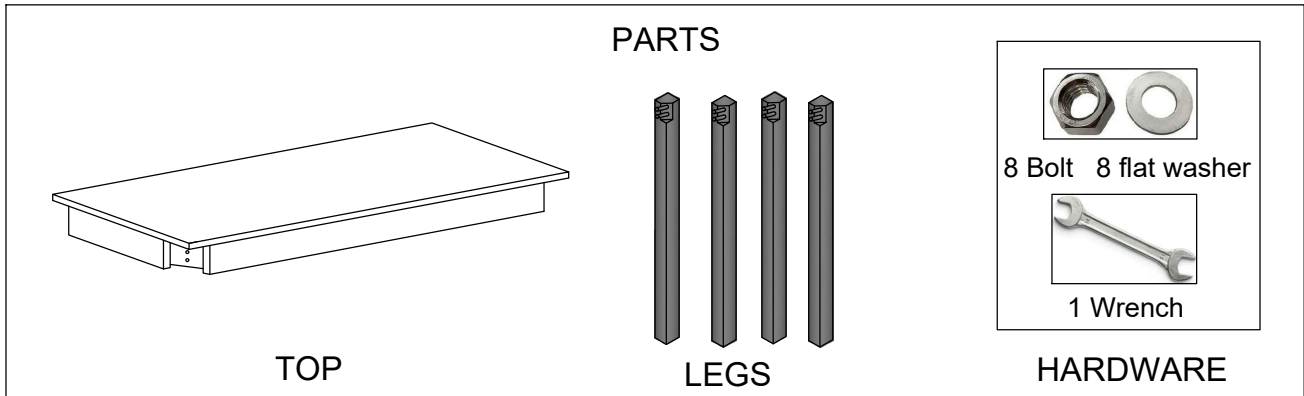


ASSEMBLY INSTRUCTION

VI-DT27

PARTS



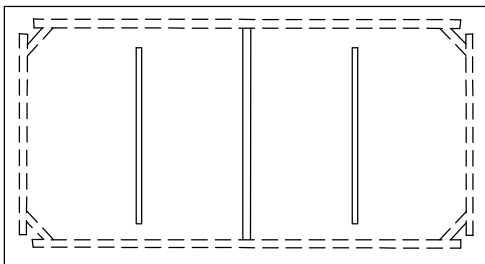
TOP

LEGS

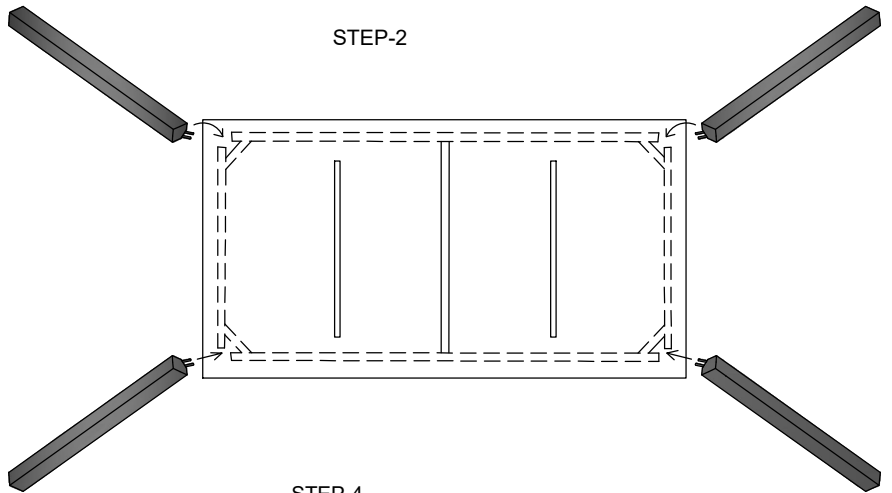
HARDWARE

- 8 Bolt
- 8 flat washer
- 1 Wrench

STEP-1



STEP-2



STEP-3



STEP-4

