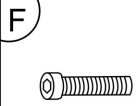
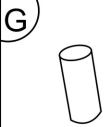


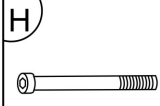
# ASSEMBLY INSTRUCTION



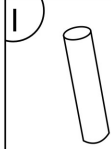
M8x50 x4



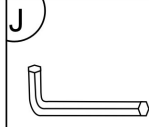
x4



M8x130 x4



x4



M8 x1

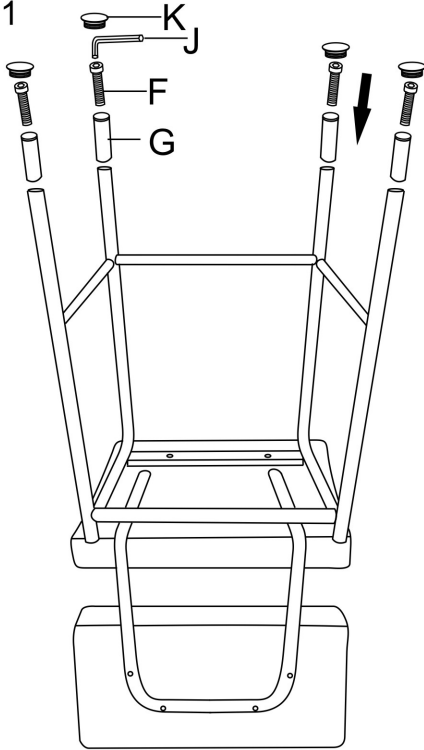


x8

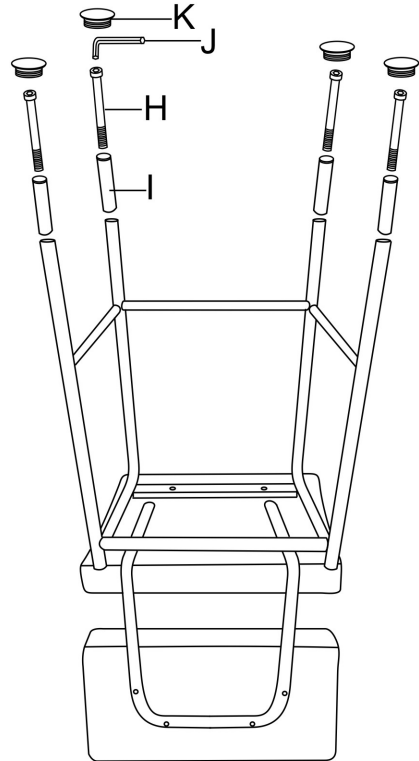


x2

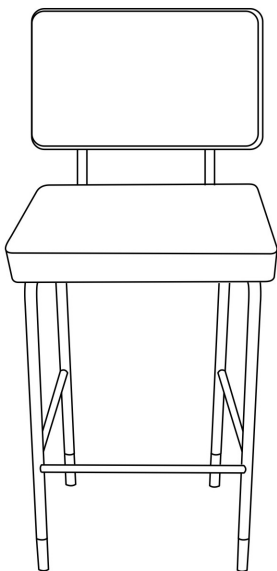
## STEP 1



## STEP 2



## STEP 3



Or

