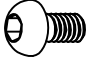
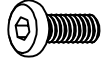
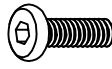
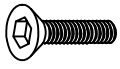



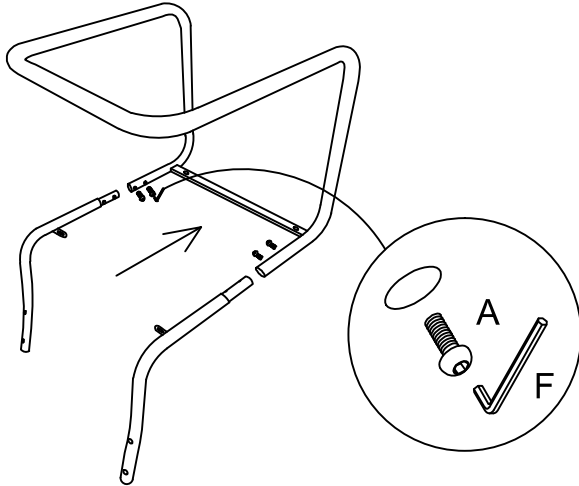


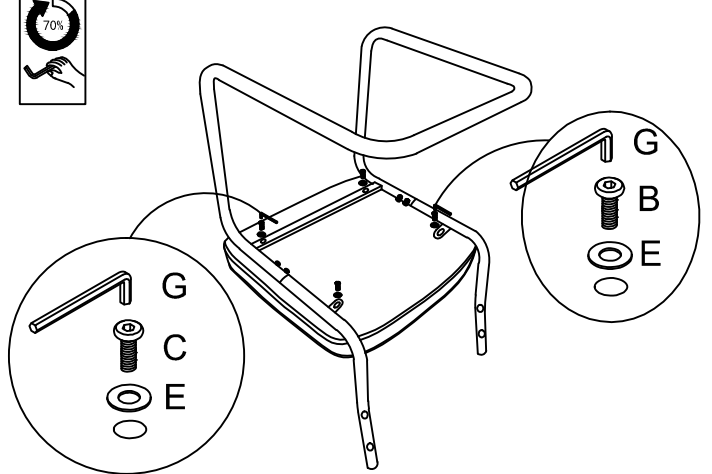
ASSEMBLY INSTRUCTION

A  M6x13 x4	B  M6x16 x2	C  M6x25 x2	D  M6x40 x4	E  M6 x4	F  M4 x1	G  M5 x1
---	---	---	---	---	--	--

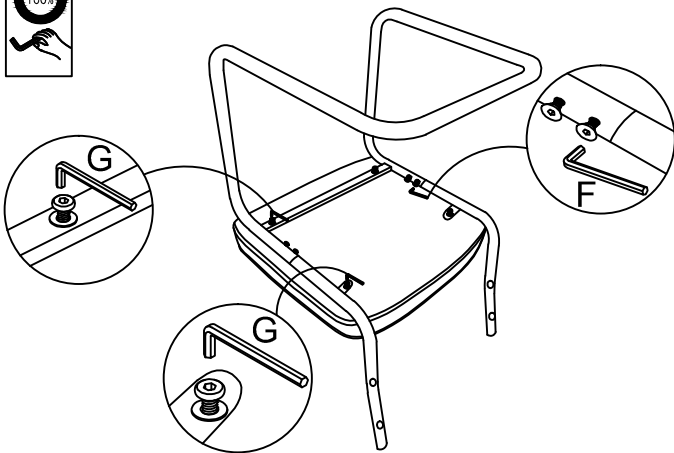
STEP 1 Please tighten the 4 screws with 70%



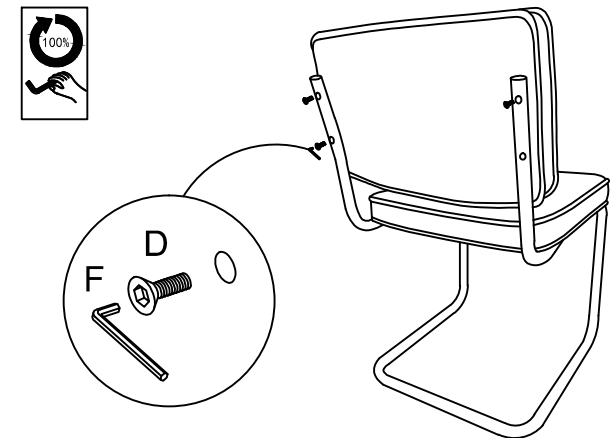
STEP 2 Please tighten the 4 screws with 70%



STEP 3 Before you tighten all the screws down in 100%, please adjust the chair in stable and right position.



STEP 4



STEP 5

