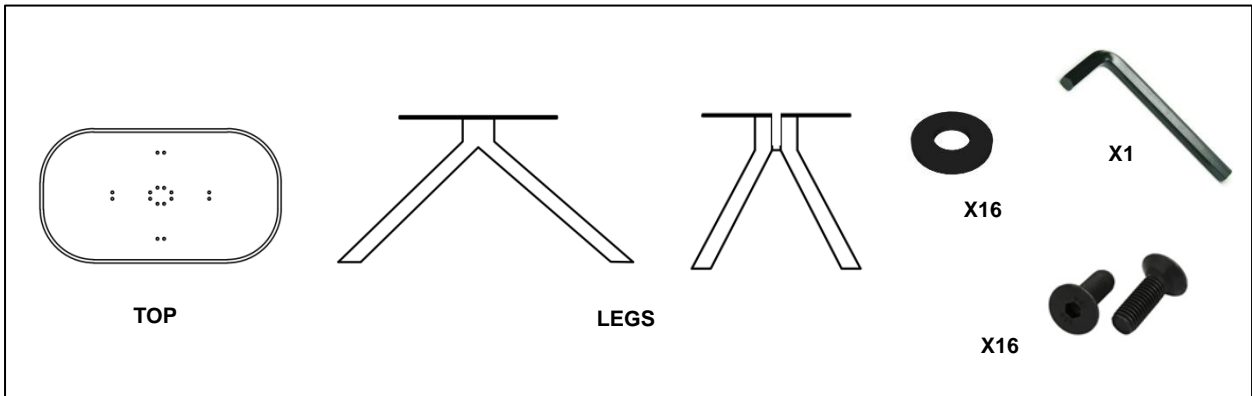


ASSEMBLY INSTRUCTIONS



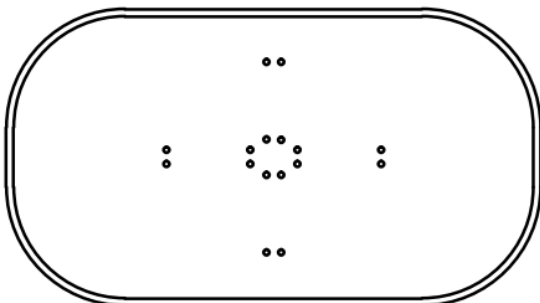
BEFORE YOU START...

1. Choose a clean, level, spacious assembly area. Avoid hard surfaces that may damage the product.
2. Check and ensure that you have all required contents for complete assembly.
3. Always read the assembly instructions carefully before beginning assembly.
4. The packaging and contents can be a choking hazard, therefore keep out of reach of small children at all times.
5. Do not over tighten the bolts as this may damage the thread.

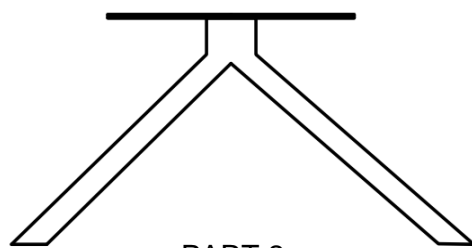


STEP 1

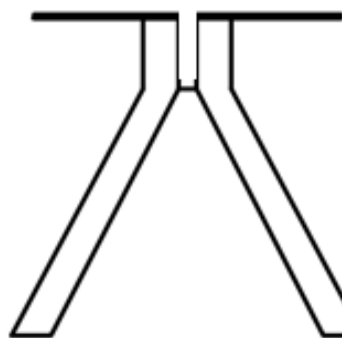
Ensure that you have all required contents for complete assembly.



PART 1

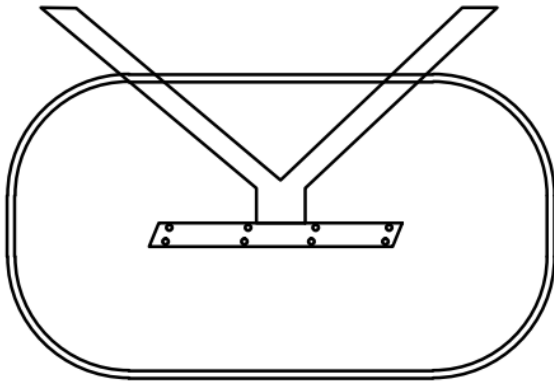


PART 2

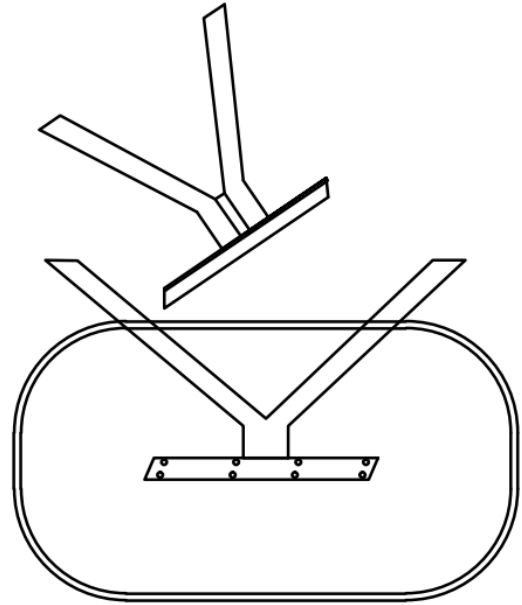


PART 3

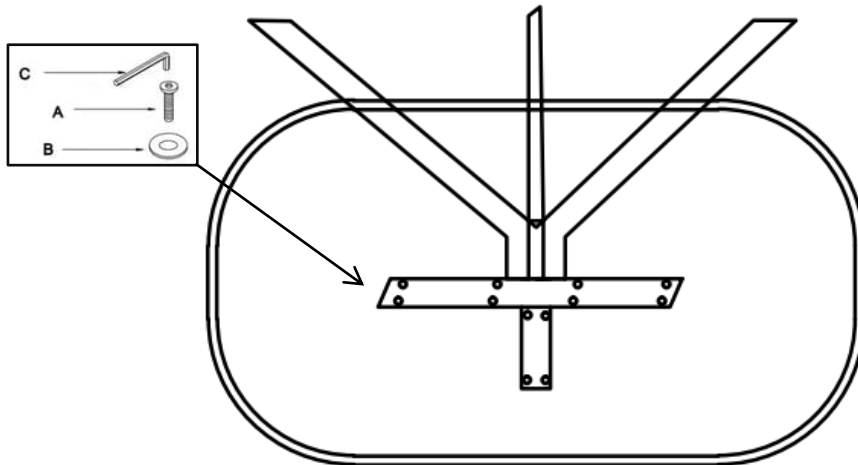
STEP 2



STEP 3



STEP 4



STEP 5

Assembly is complete.

