


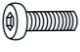





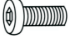



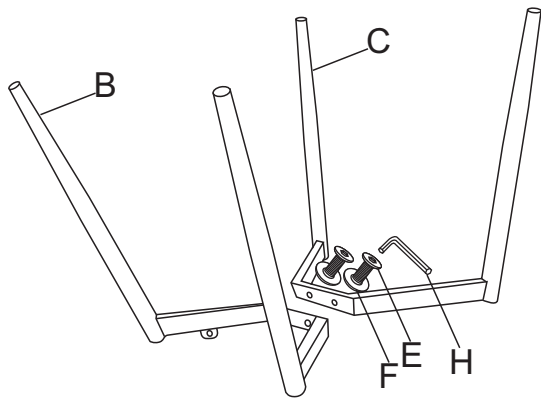


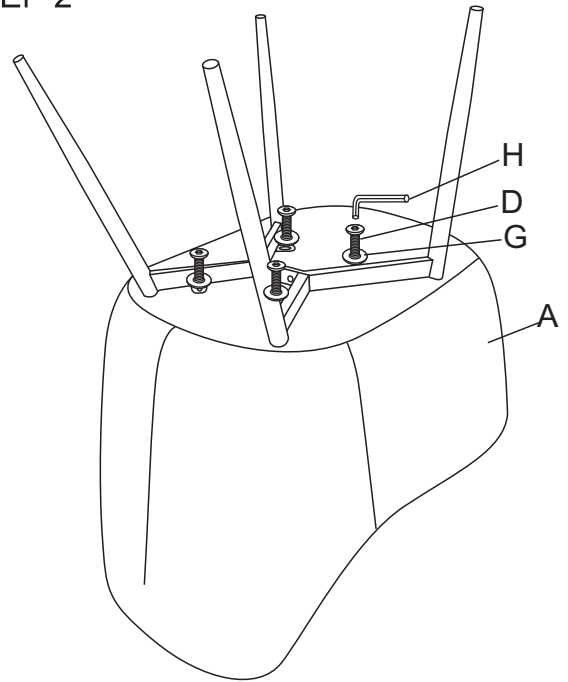
ASSEMBLY INSTRUCTION

A  x1	B  x1	C  x1	D  M6x16 x4	E  M8x13 x2	F  M8 x2	G  M6 x4
H  x1	I  x1	Spare Parts  M6x16 x1	Spare Parts  M8x13 x1	Spare Parts  M8 x1	Spare Parts  M6 x1	

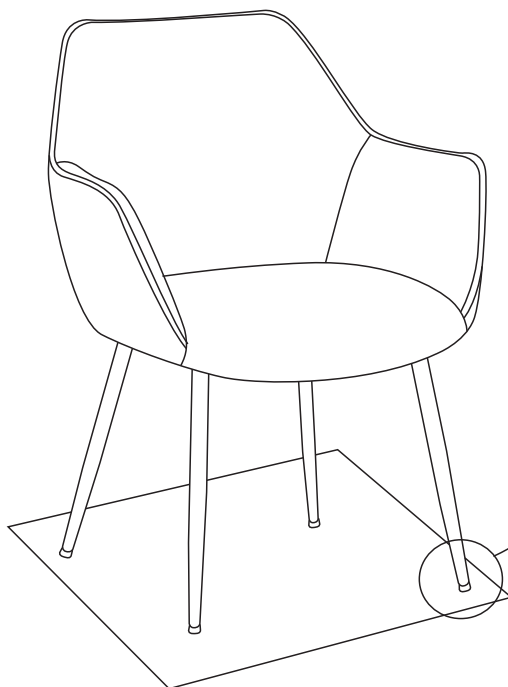
STEP 1



STEP 2



STEP 3



Adjust the floor protector.
then tighten the lock nut usel.

