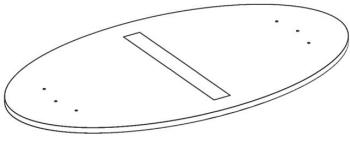


ASSEMBLY INSTRUCTIONS

PARTS



x2



x6

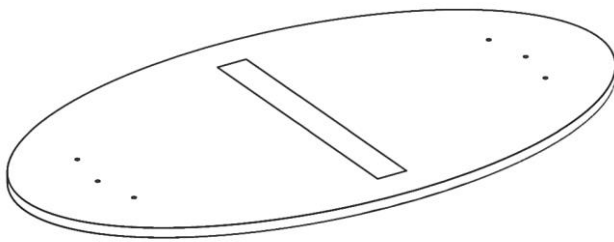


x6

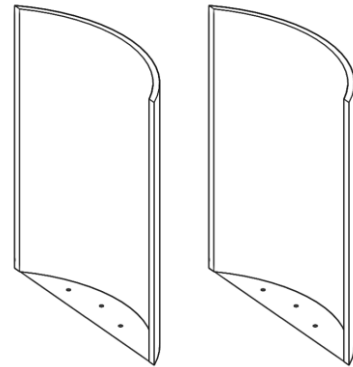


x1

STEP -1

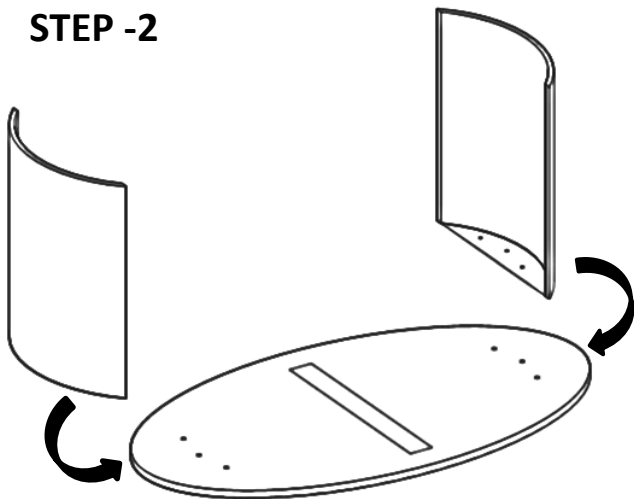


PART A

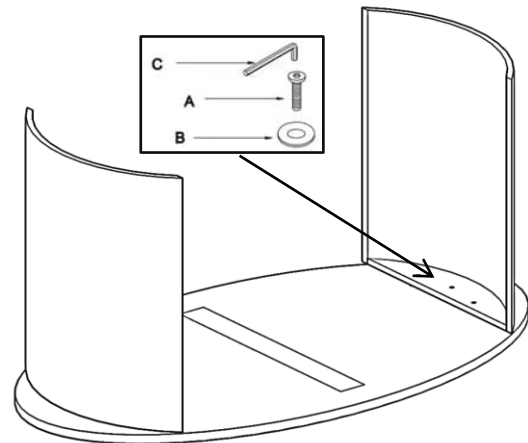


PART B

STEP -2



STEP -3



FINAL

