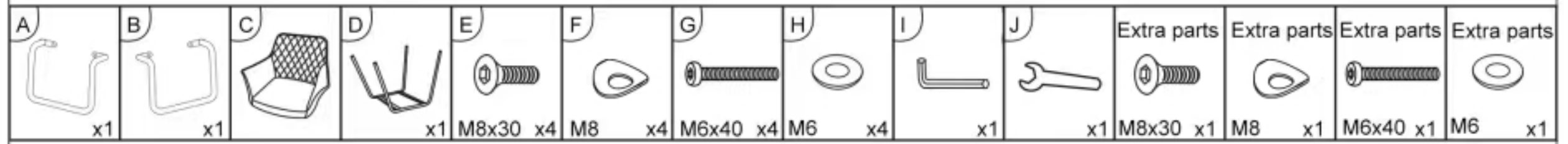
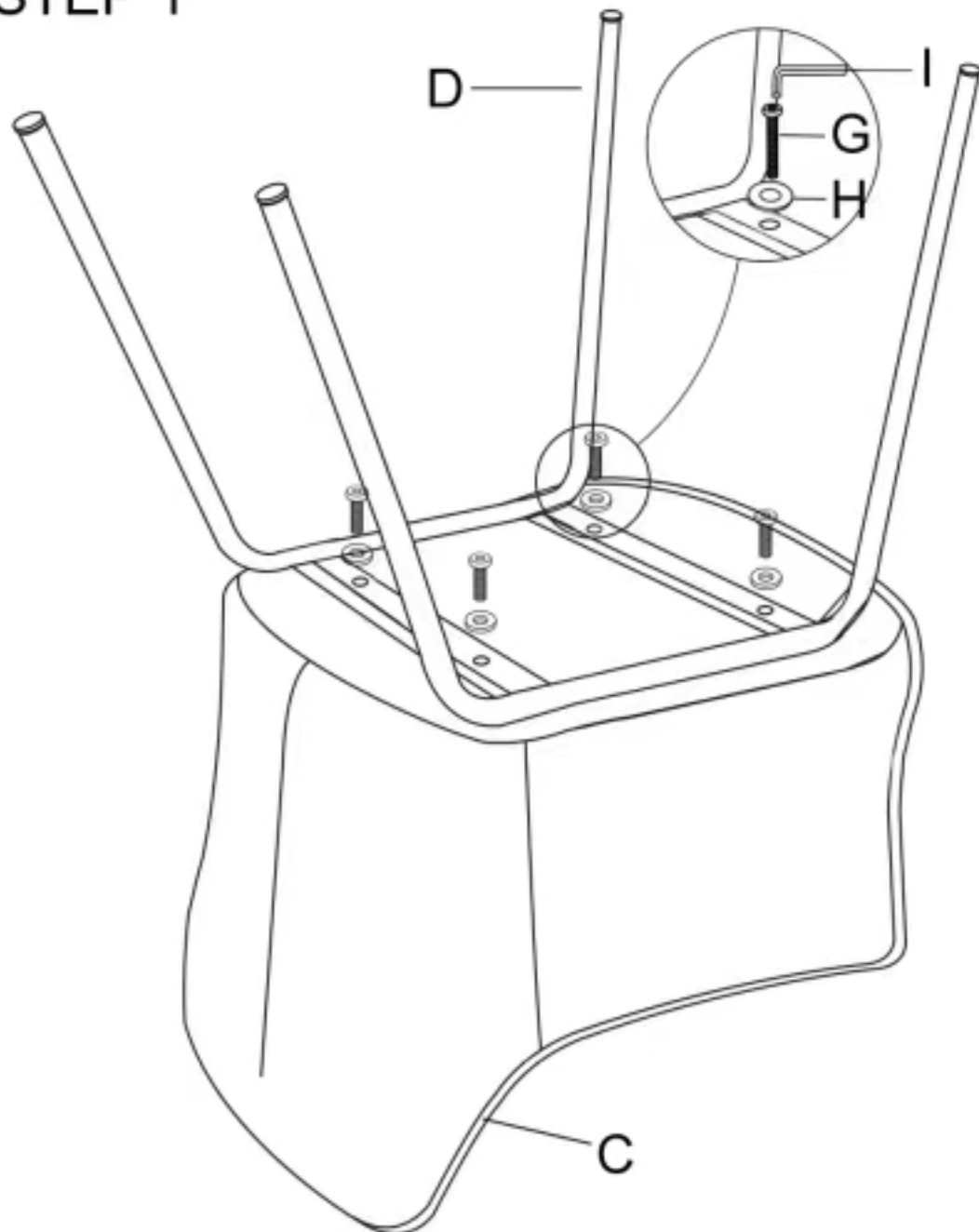


Club Chair

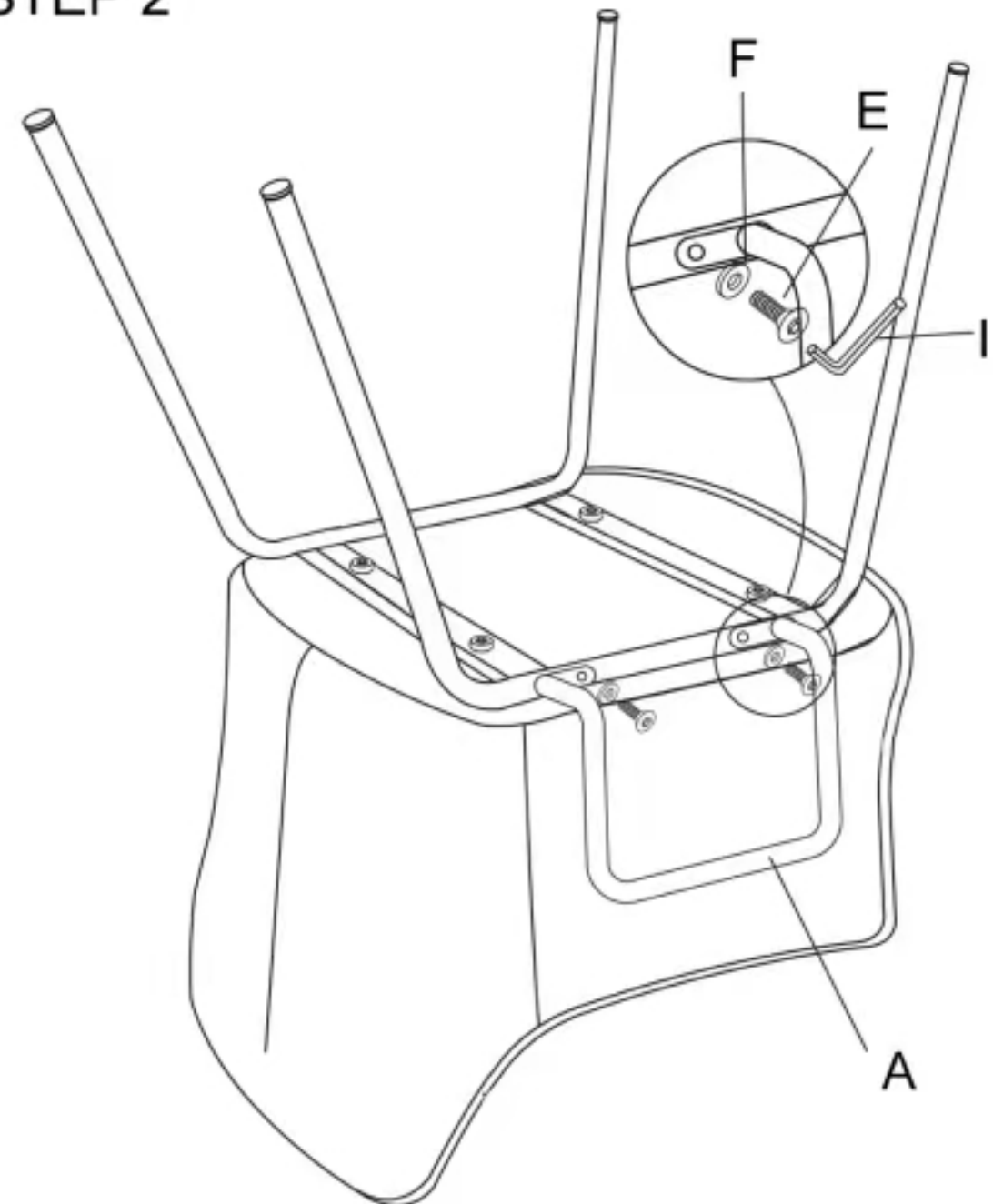
ASSEMBLY INSTRUCTION



STEP 1

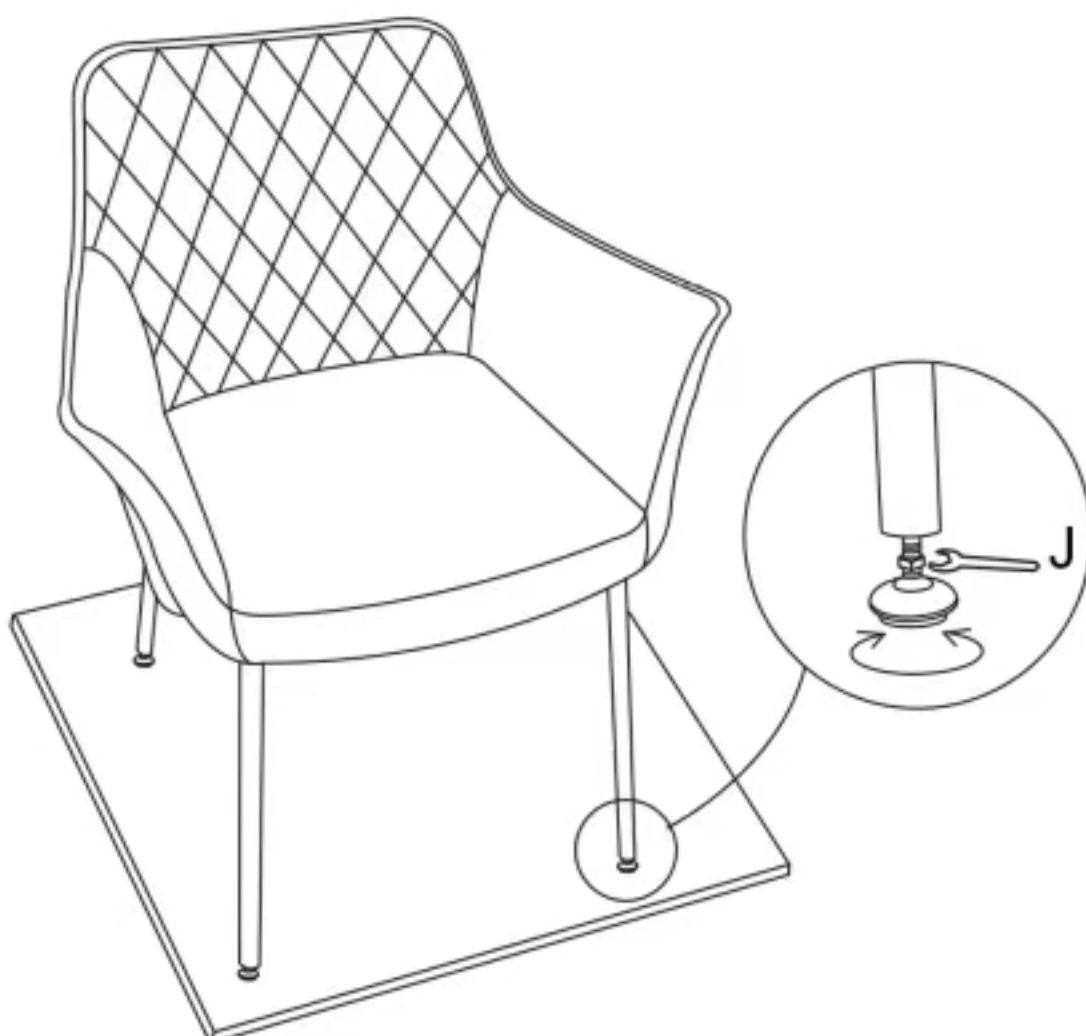


STEP 2



STEP 3

Adjust the floor protector, then tighten the lock nut use H .



STEP 4

