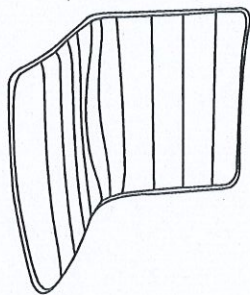
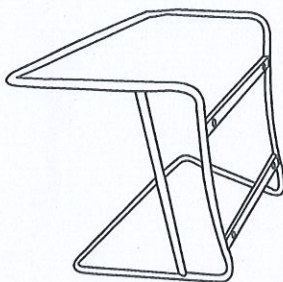


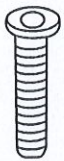
A x 1



B x 1

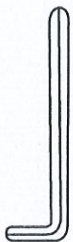


C x 4

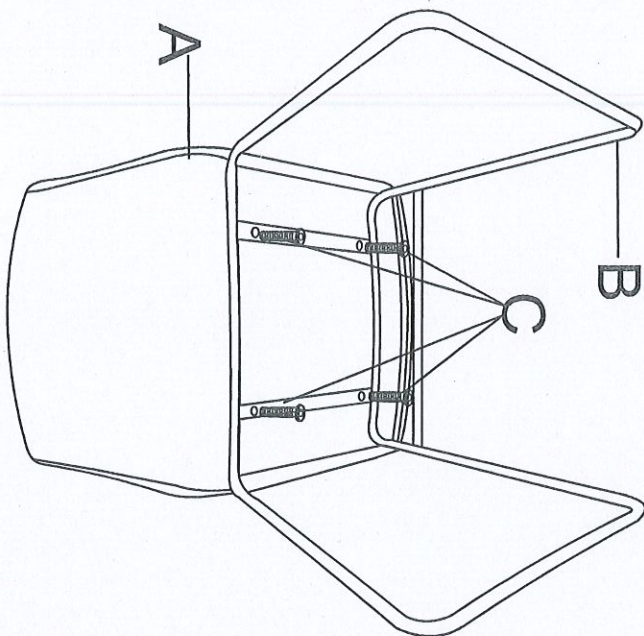


M6 x 25

D x 1



1



2

