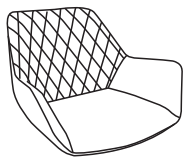
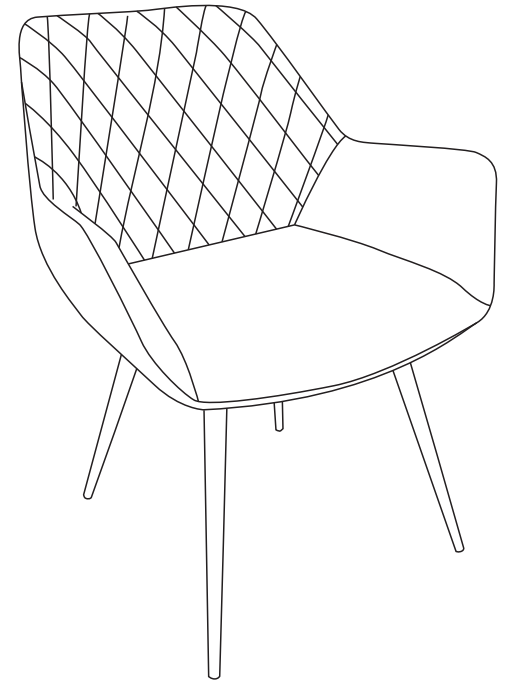
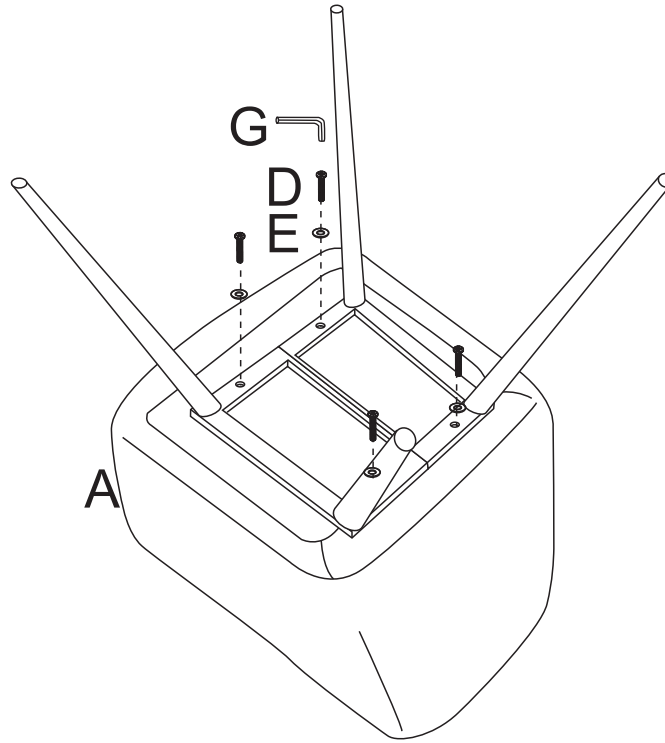
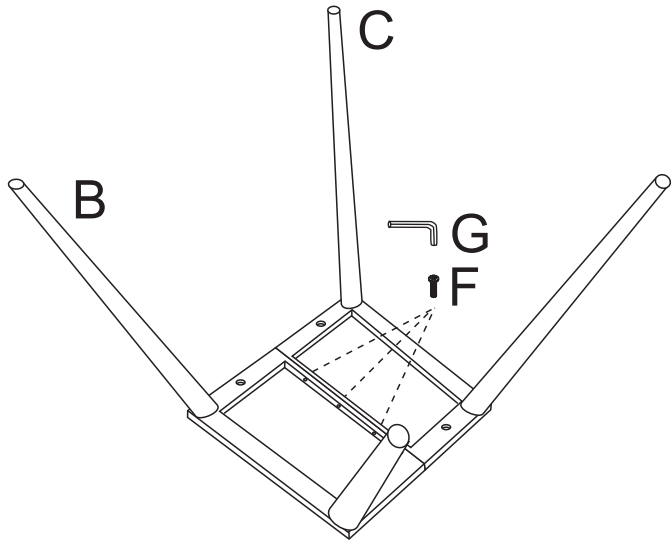
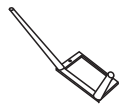


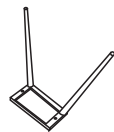
# Assembly Instruction



Ax1



Bx1



Cx1



Dx4



Ex4



Fx3



Gx1