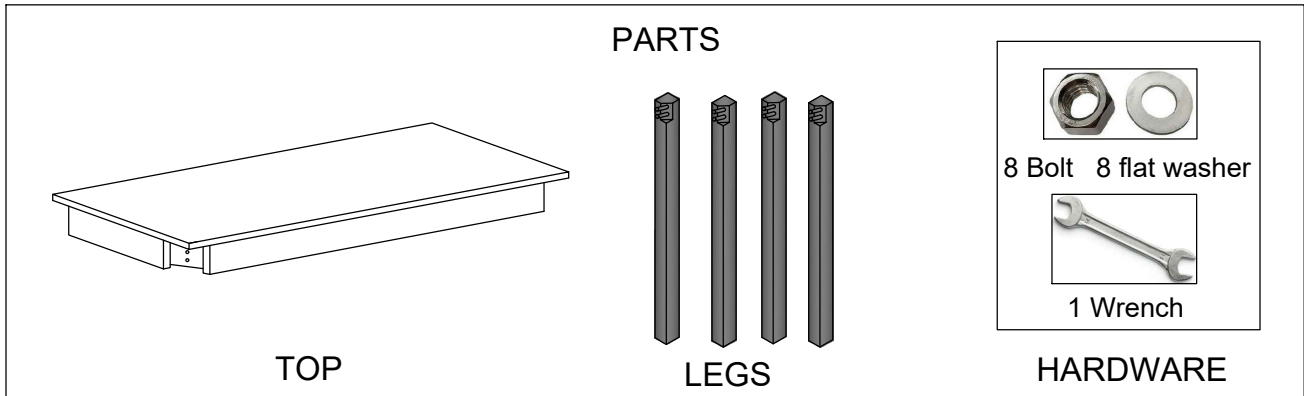


ASSEMBLY INSTRUCTION

VI-DT26

PARTS



TOP

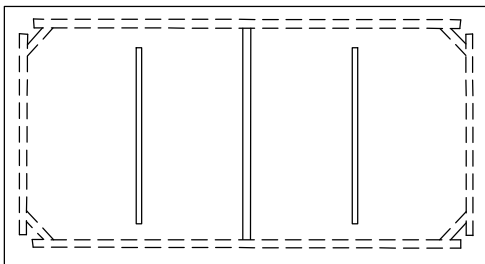
LEGS

HARDWARE

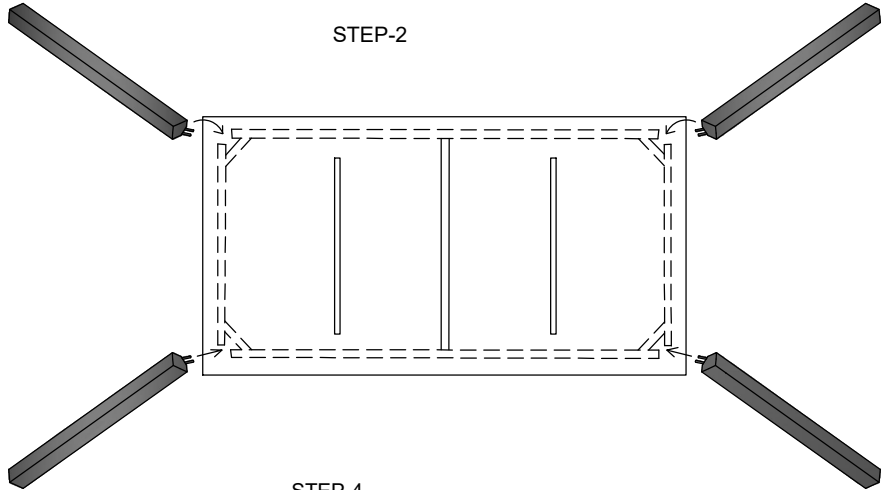
8 Bolt 8 flat washer

1 Wrench

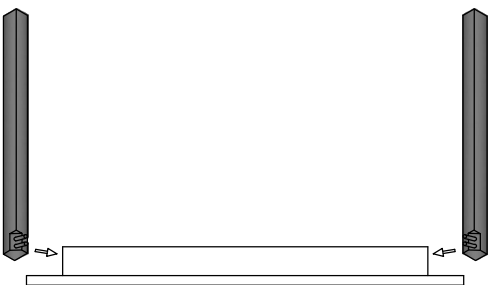
STEP-1



STEP-2



STEP-3



STEP-4

